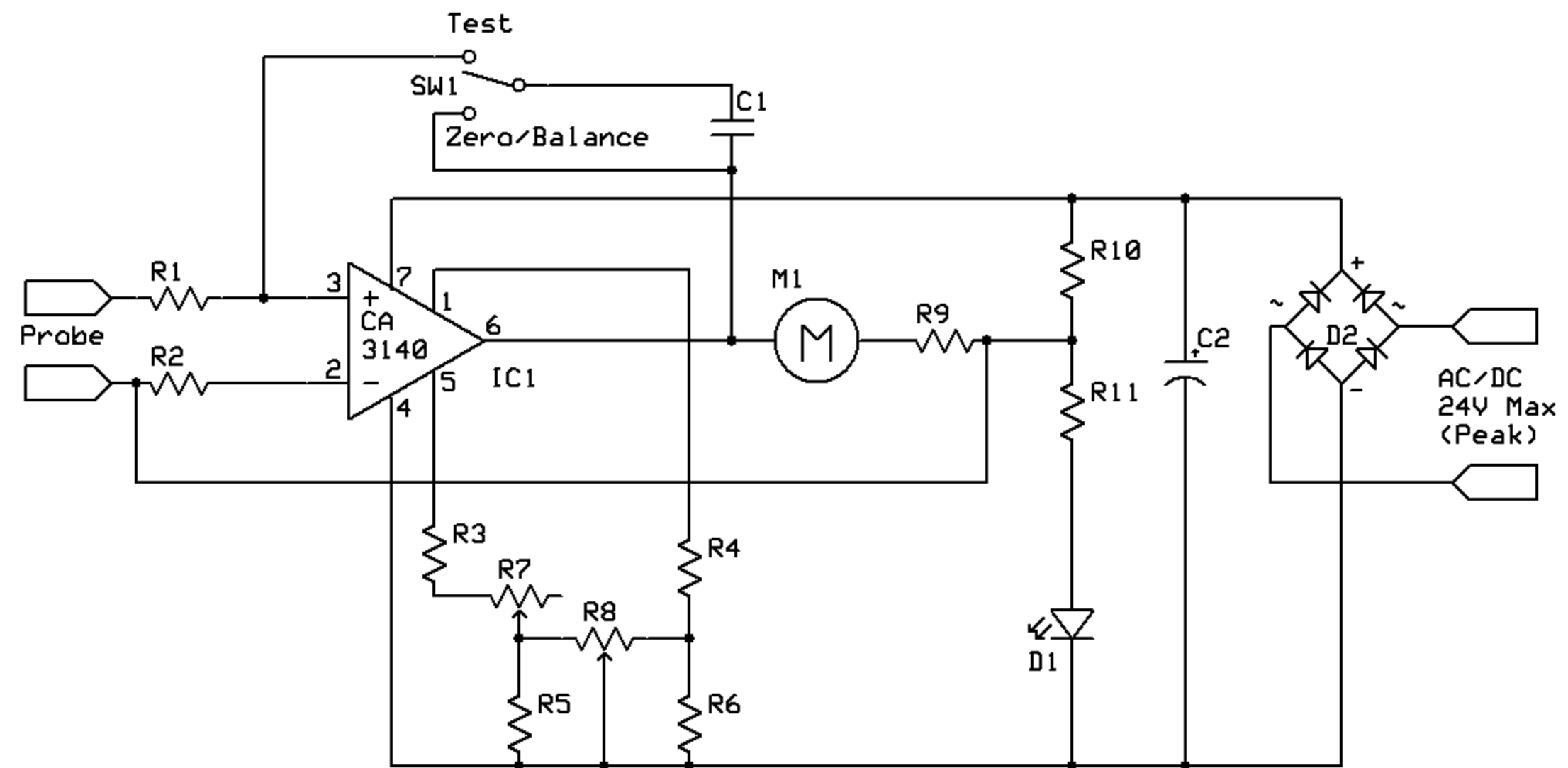


# Moir Permanent Magnet Tester, v. 2

- C1 - .33mf, mylar
- C2 - 100mf, 50V
- D1 - Red LED
- D2 - 1.5A Diode Bridge
- IC1 - CA3140 Op Amp
- M1 - .5-0-.5 ma meter
- R1 - 10K
- R2 - 10K
- R3 - 10K
- R4 - 15K
- R5 - 1K
- R6 - 1K
- R7 - 10K trim pot
- R8 - 10K pot
- R9 - 10K
- R10 - 2.2K
- R11 - 2.2K
- (All resistors 1/4 Watt)



The Moir Co., Inc.

PMT - 2

Douglas M. Bauer

Rev 1.0

12/10/2002

Page 1 of 1